



Women Concepts

Sp-24

Prepared By

SINHA Knit and Denims Limited.



CONTENT..

01. PSP-24 KEY TRENDS

- # Retro Revive
- # Upcycle
 - Natural Impression
 - Sustainable
- # Utility
- # Cool Aid

02. PEARL PRODUCT OFFERING

- # Key Fabrics
- # Key Fits
- # Wash Range
- # Rise %
- # Inseam %
- # Destruction %
- # Key Details
 - Patchwork
 - Utility



Retro-Revive



Retro Revive

KEY FITS



FLARE



TAPERED



SLOUCH



STRAIGHT LOOSE



BALLOON

Retro Revive Details

KEY SILHOUETTES

Power dressing style trend upsurge is influencing clean, tailored inserts even in denims. Clean waistband, pleats & tucks is giving a premium look to the otherwise casual wardrobe jeans.



DENIM IS A WAY OF LIFE.



Upcycle

Live life big size. In the phase of uncertainty let's believe to rejuvenate ourselves with fun, joy & creativity. Recycle, Remake & Reinvent to give your wardrobe an all new approach. Small initiatives to save the future & see a better tomorrow.



Upcycle

KEY SILHOUETTES



Upcycle

NATURAL IMPRESSION
KEY WASHES



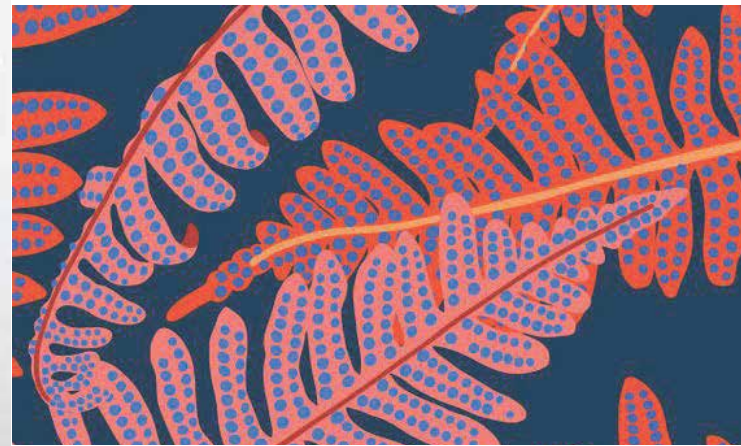


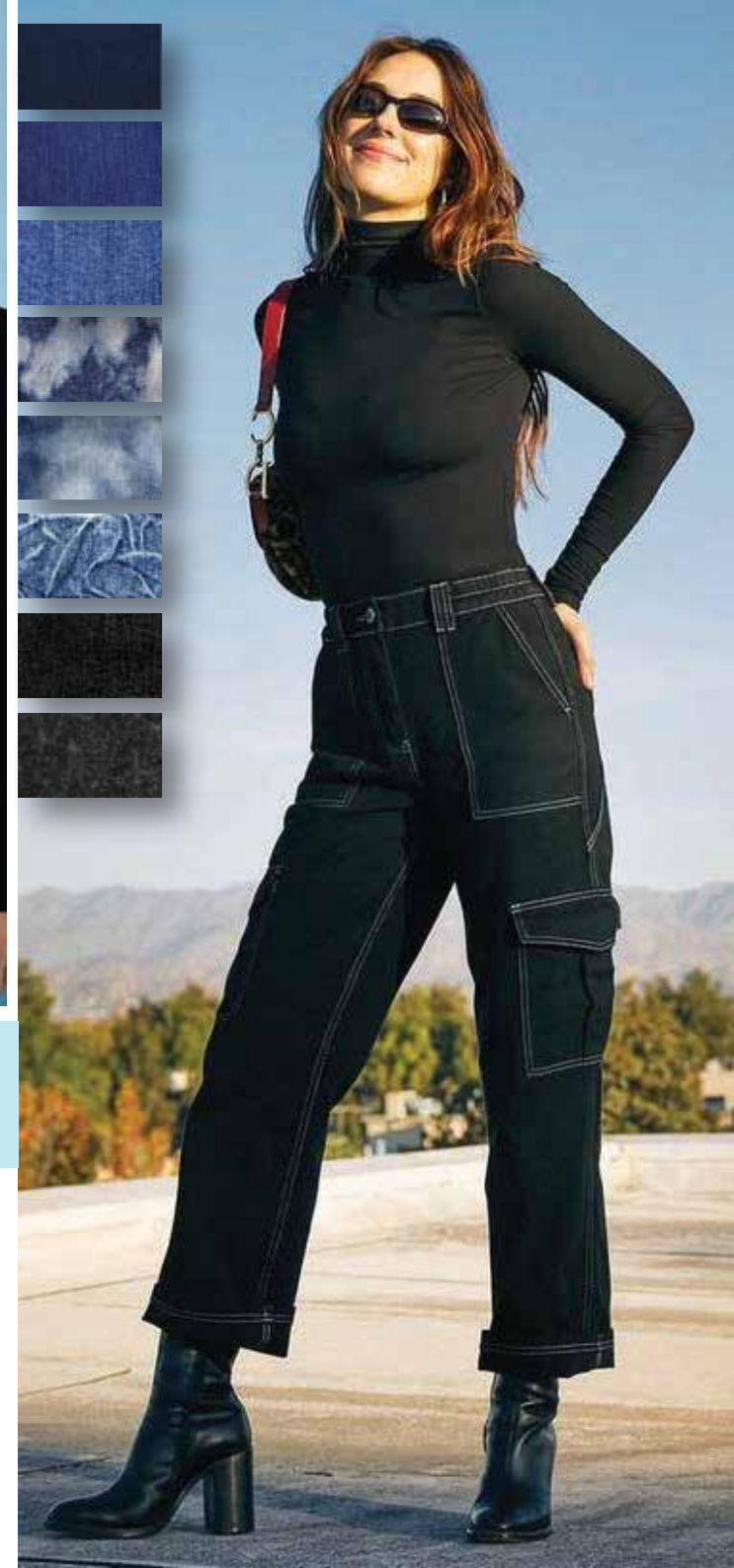
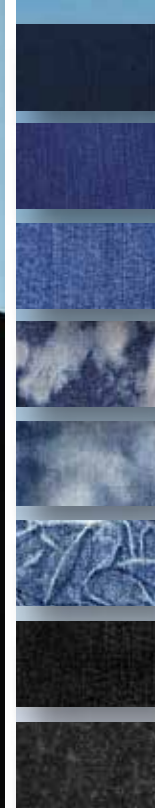
DENIM



Nature is our
Universe

RESPONSIBLE FASHION





Utility

Carpenter Jeans have been on the rise for a few seasons now, with everyone from Rihanna and Dua Lipa to Bella Hadid and Kendall Jenner wearing the no-purse-needed trouser style from the '90s and early 2000s

Utility

KEY SILHOUETTES



Going back to Industrial Revolution of denim overalls silhouette inception in 1970's. Reliving the volume pockets & carpenter details in most fashionable way.

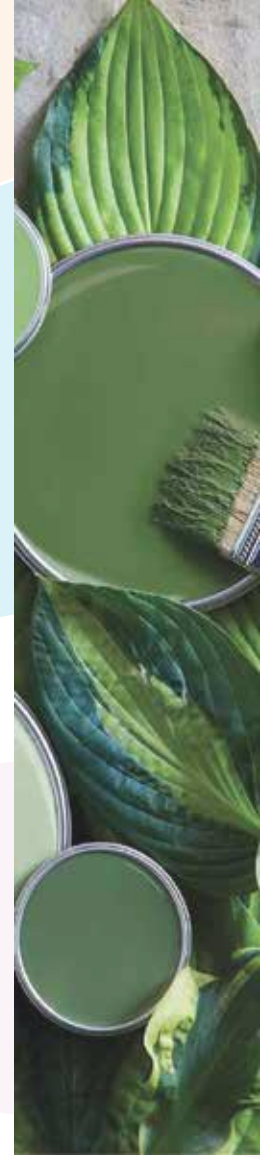
Utility

KEY SILHOUETTES



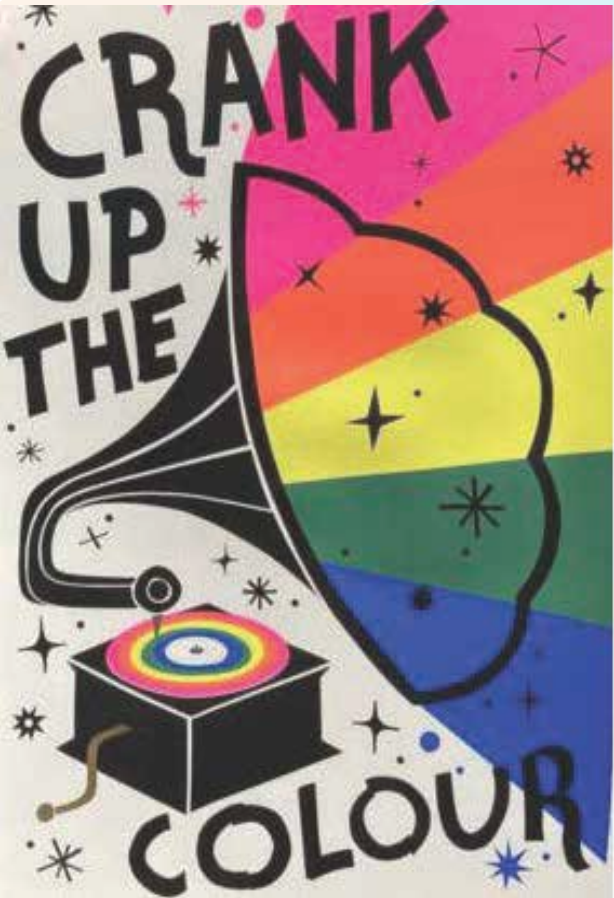
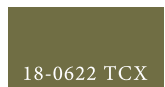
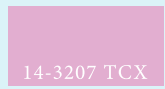


Cool Aid



Favorite Unim Trends

Hyper-bright digital colours will find a natural home among youth and denim categories in S/S 24, but so will dependable neutrals and calming pastels for younger consumers.



Trends | PSP 24



Cool Aid

COLOR PALETTE



Revolutionising denim with a new twist in wider color range offerings. Start a day with new colour for a fresh perspective each day.

Cool Aid

COLOR PALETTE



Wash Range

WOMEN'S



SUPER BLEACHED



SUPER LIGHT



LIGHT



MED LIGHT



MEDIUM



MED DARK



DARK



DARK RINSE

Destruction

Variations



NO DESTRUCTION



KNEE DESTRUCTION



MINIMAL DESTRUCTION



MEDIUM DESTRUCTION



HEAVY DESTRUCTION

Key Details

Patchwork



WALMART



NORDSTROM



NORDSTROM



NORDSTROM



NORDSTROM



WALMART



WALMART

Key Details

Utility



NORDSTROM



NORDSTROM



NORDSTROM



NORDSTROM



WALMART



WALMART



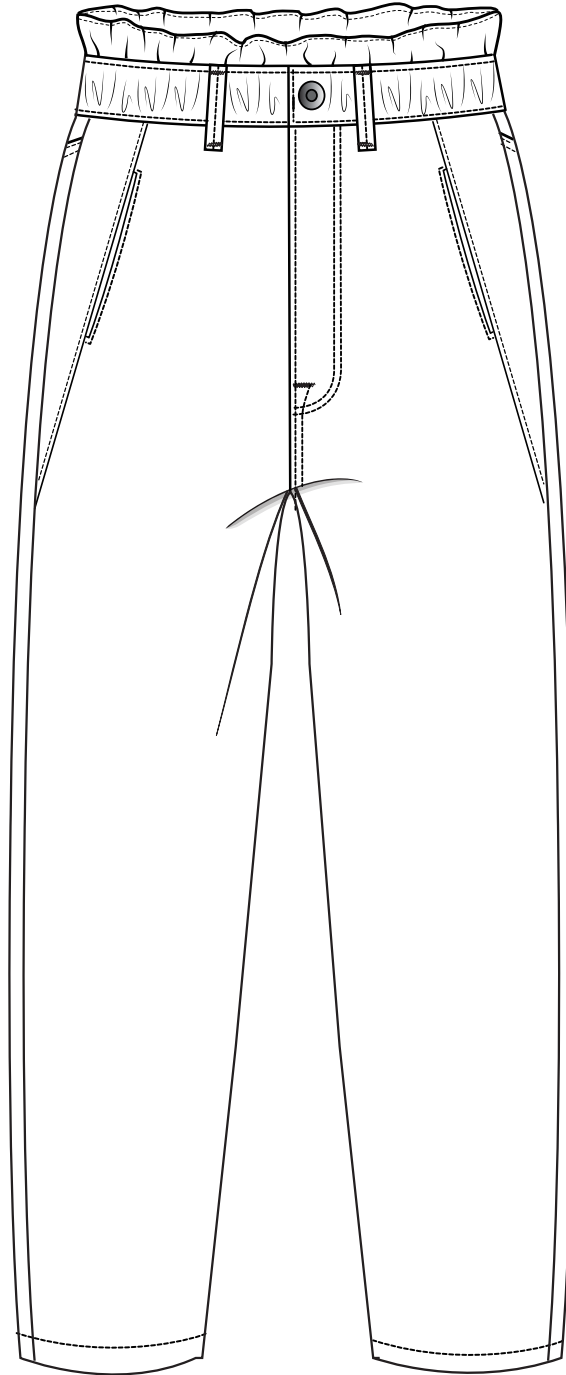
BERSHKA



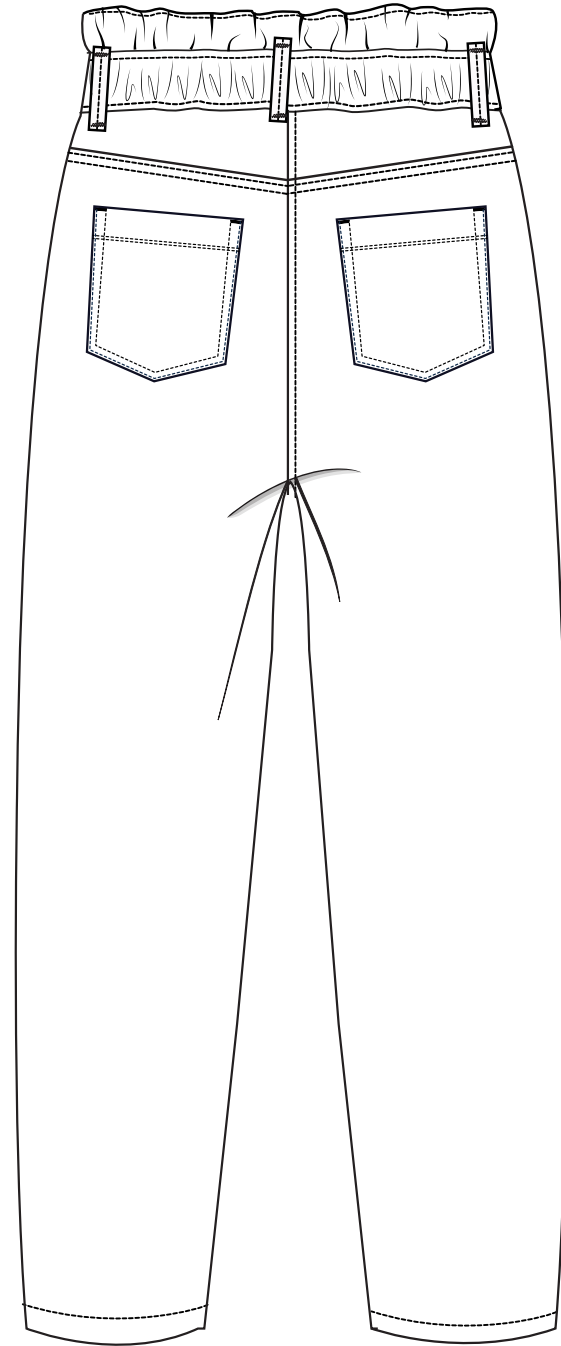
BERSHKA

Styling

Inspiration

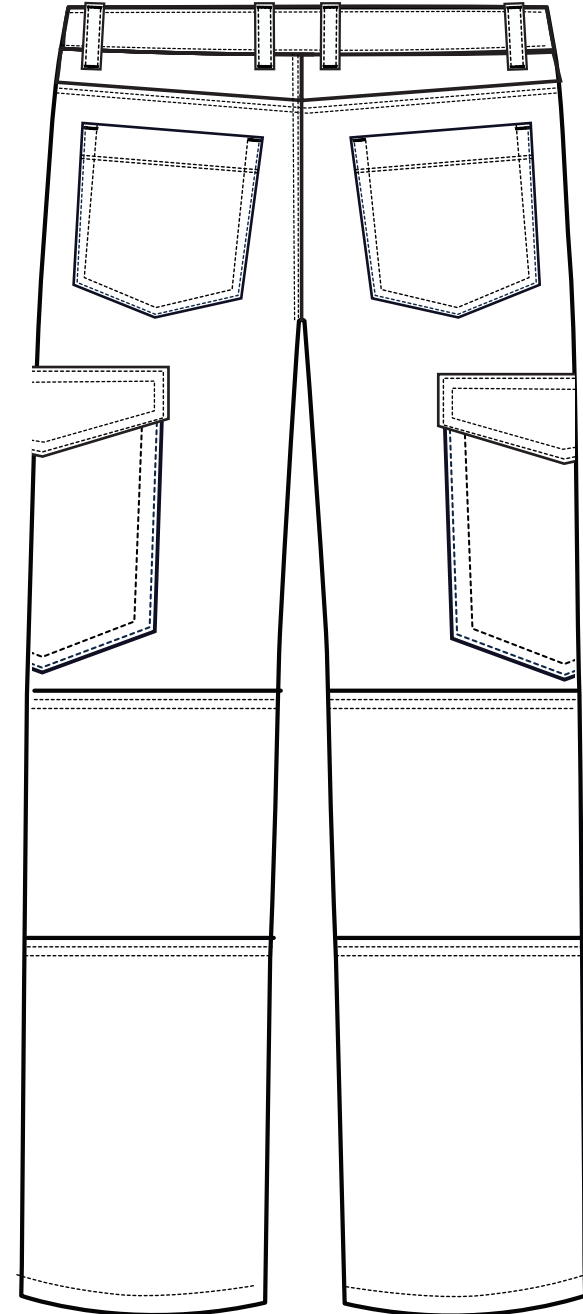
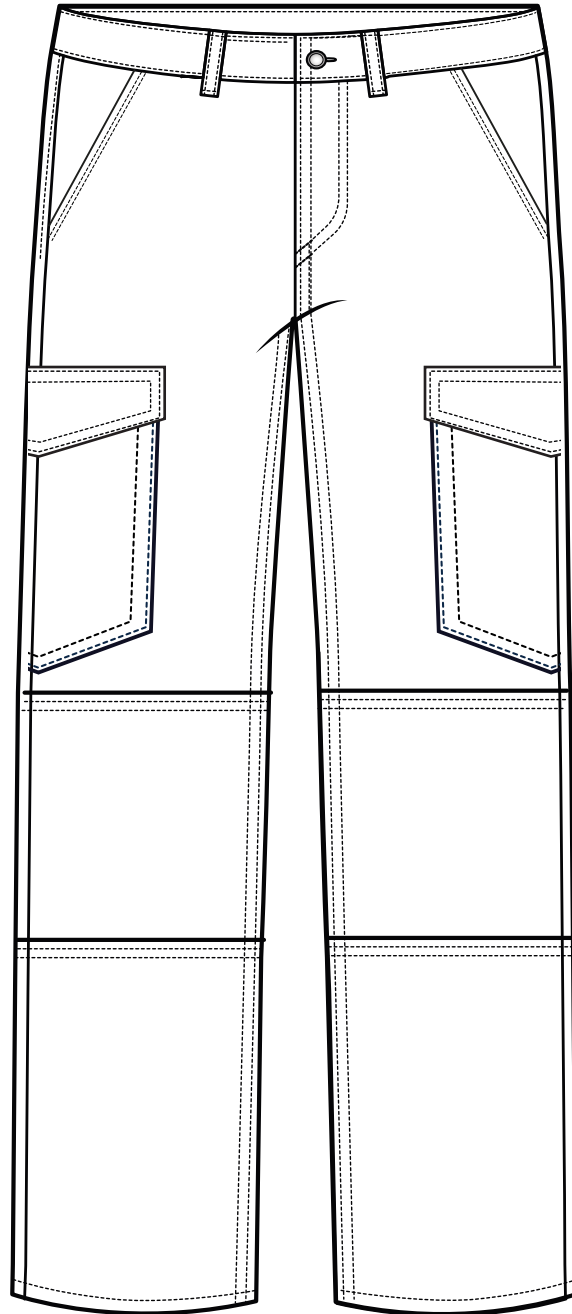


SLOUCHY FIT



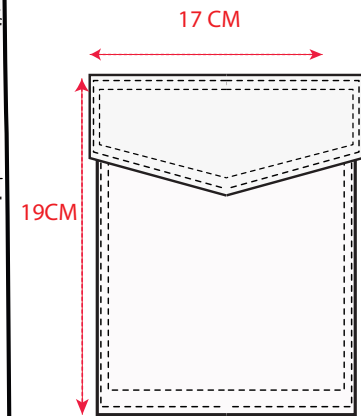
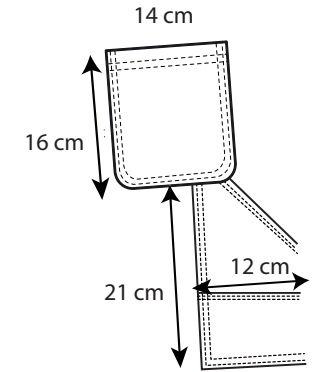
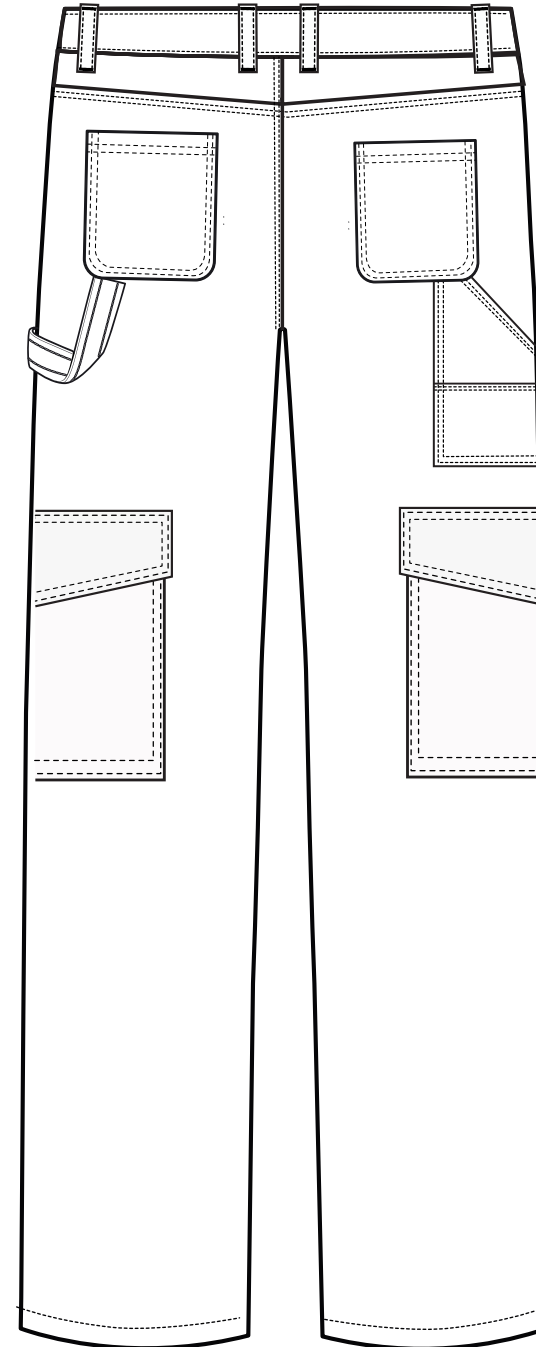
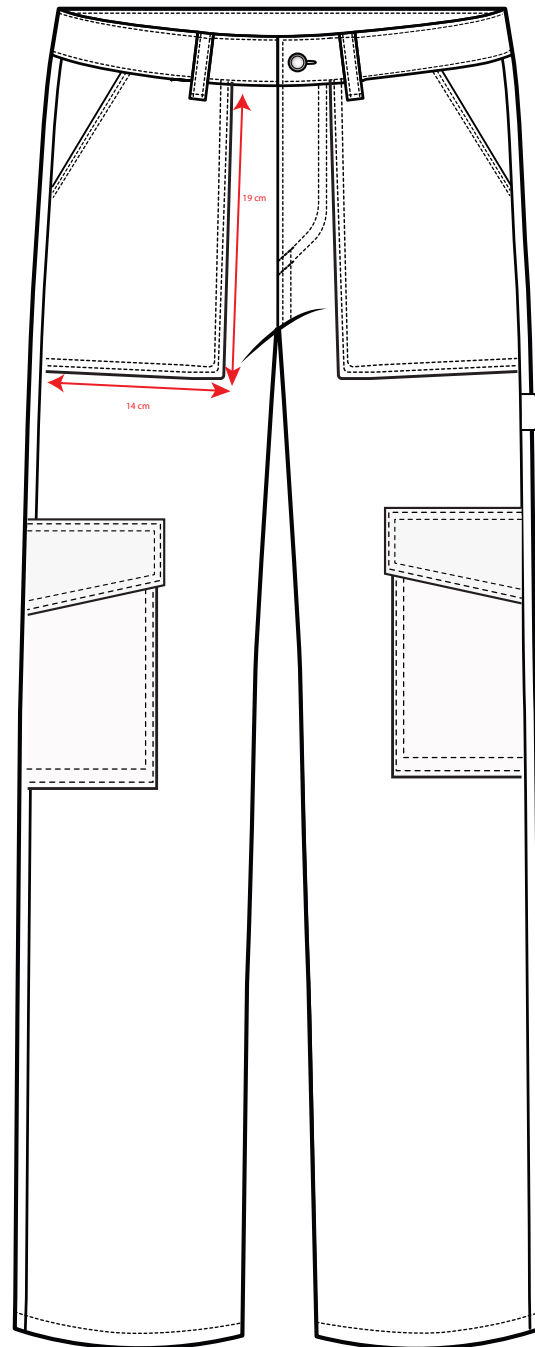
Styling

Inspiration



Styling

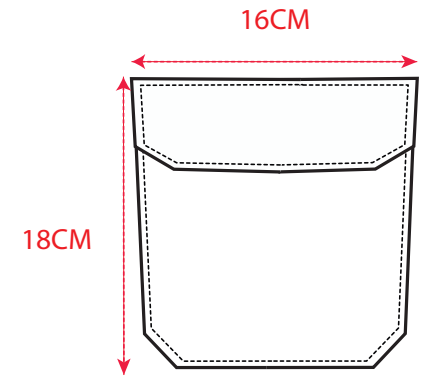
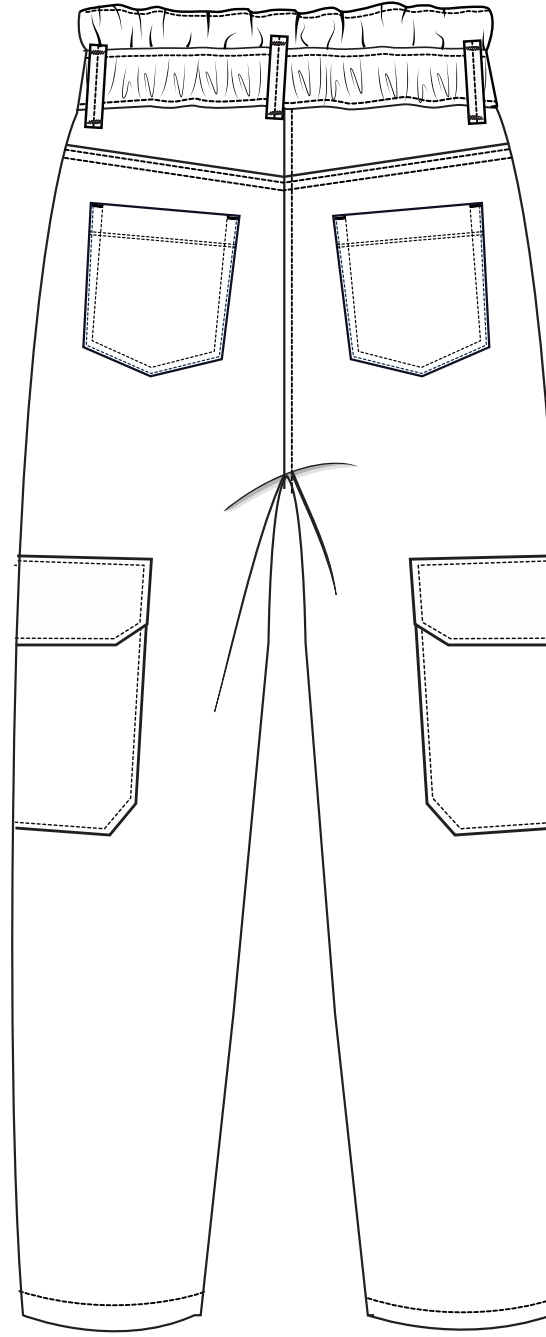
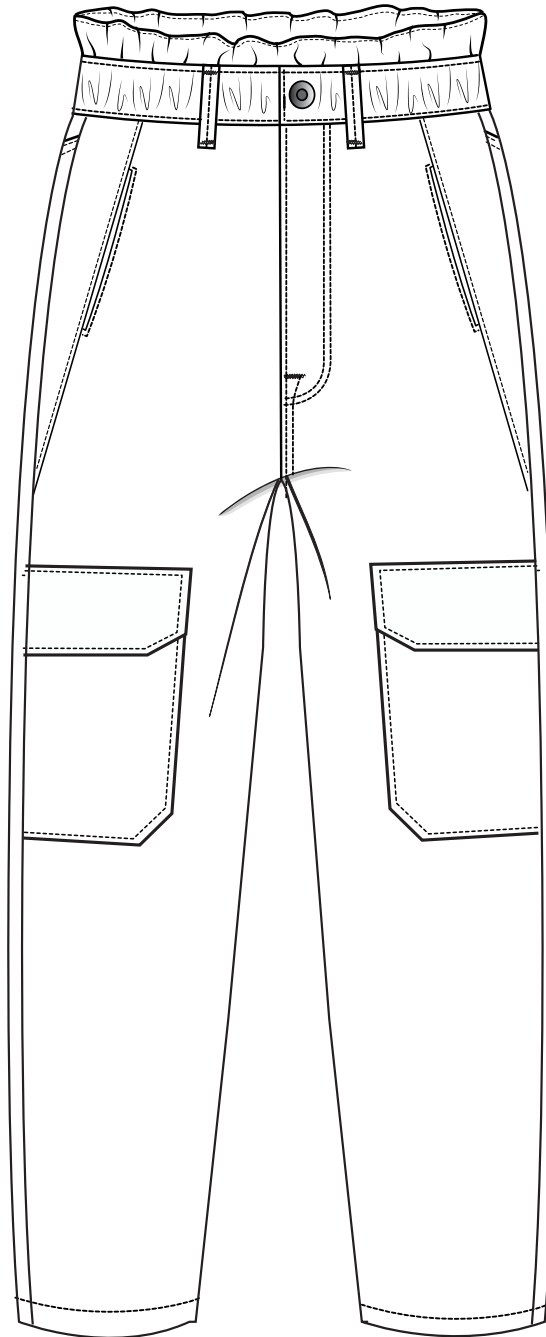
Inspiration



Contrast stitch

Styling

Inspiration





Thank You

